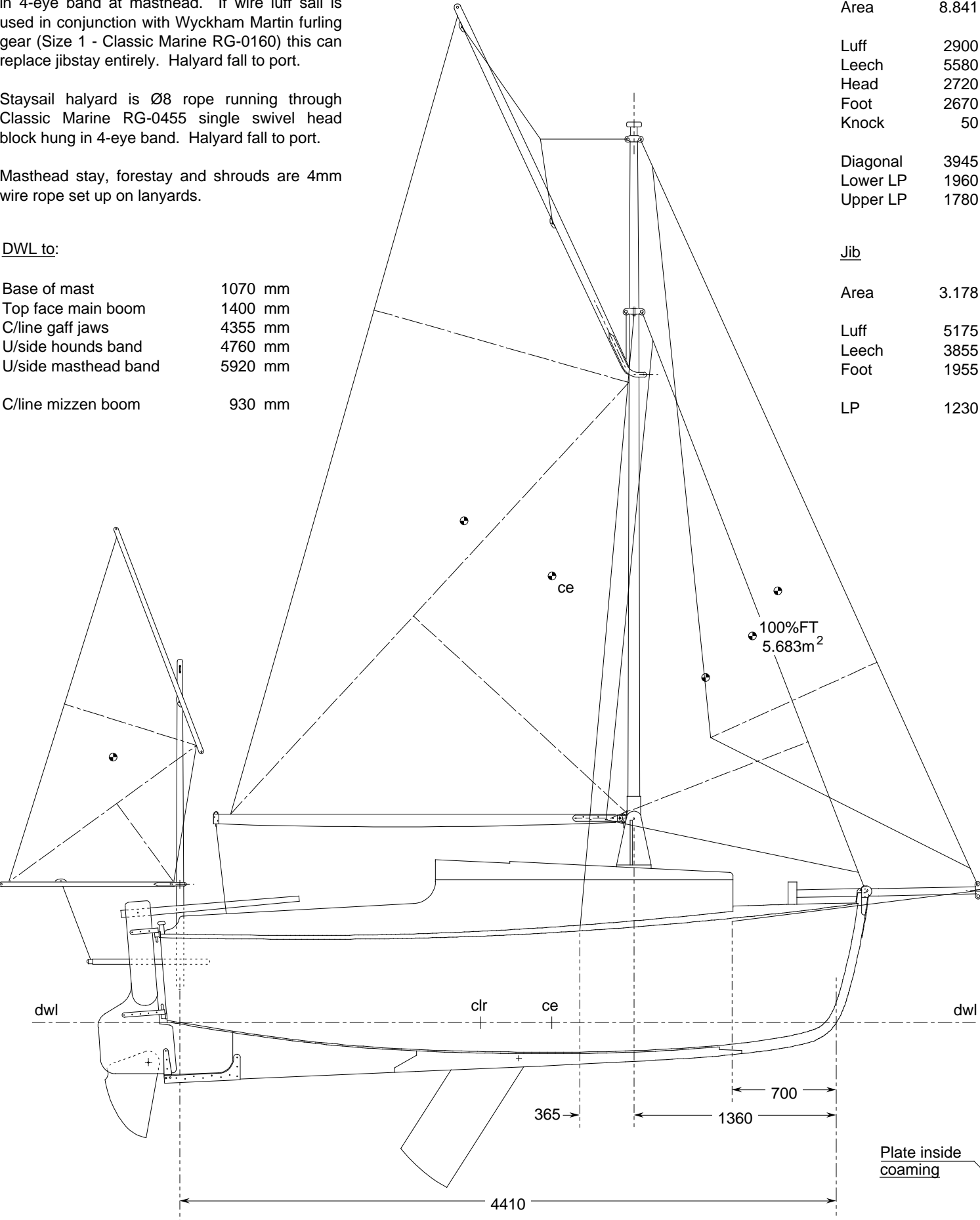


Jib halyard is Ø8 rope running through Classic Marine RG-0455 single swivel head block hung in 4-eye band at masthead. If wire luff sail is used in conjunction with Wyckham Martin furling gear (Size 1 - Classic Marine RG-0160) this can replace jibstay entirely. Halyard fall to port.

Staysail halyard is Ø8 rope running through Classic Marine RG-0455 single swivel head block hung in 4-eye band. Halyard fall to port.

Masthead stay, forestay and shrouds are 4mm wire rope set up on lanyards.

- DWL to:**
- Base of mast 1070 mm
 - Top face main boom 1400 mm
 - C/line gaff jaws 4355 mm
 - U/side hounds band 4760 mm
 - U/side masthead band 5920 mm
 - C/line mizzen boom 930 mm



Mainsail

Area	8.841 sq m
Luff	2900 mm
Leech	5580 mm
Head	2720 mm
Foot	2670 mm
Knock	50 mm
Diagonal	3945 mm
Lower LP	1960 mm
Upper LP	1780 mm

Mizzen

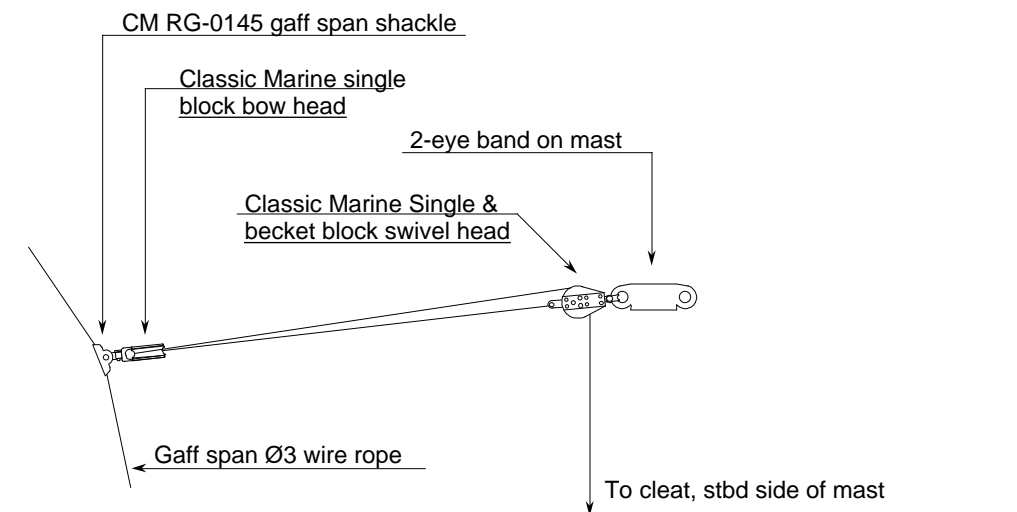
Area	1.637 sq m
Luff	2900 mm
Leech	5580 mm
Head	2720 mm
Foot	2670 mm
Diagonal	3945 mm
Lower LP	1960 mm
Upper LP	1780 mm

Jib

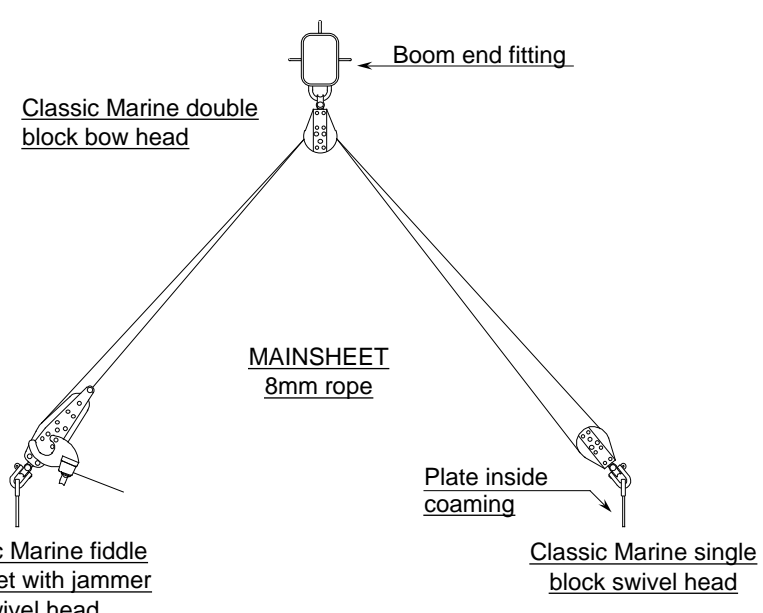
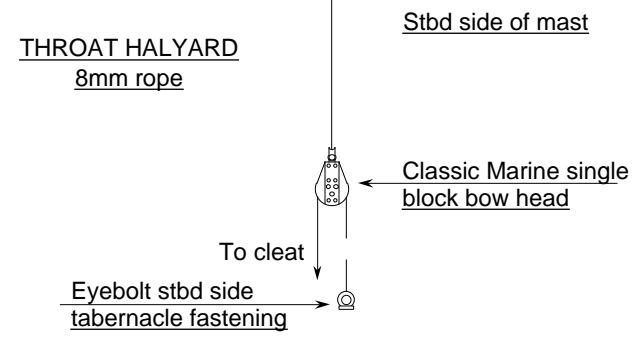
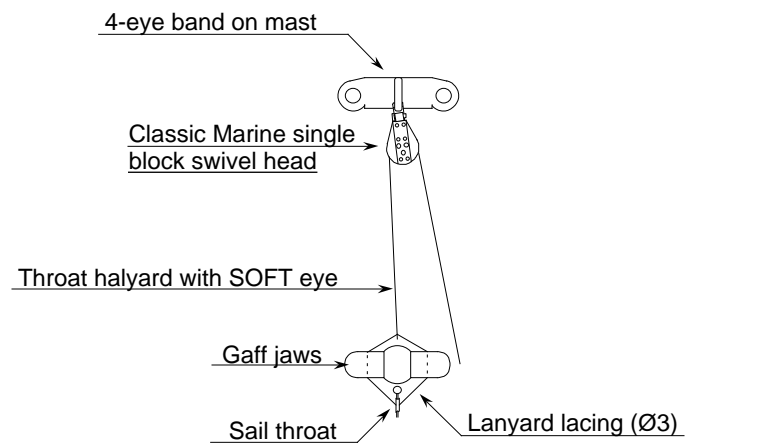
Area	3.178 sq m
Luff	5175 mm
Leech	3855 mm
Foot	1955 mm
LP	1230 mm

Staysail

Area	2.791 sq m
Luff	3835 mm
Leech	3240 mm
Foot	1735 mm
LP	1455 mm



PEAK HALYARD
8mm rope



Whisstock
boats and boat plans

support@whisstock.com

Boat 077

Sail Plan & Rigging Schedule

Scale	1/33.33 & n.t.s.
Date	20/05/2000
Plan No.	077/011/01
Issue No.	01 web
All dimensions in millimetres unless noted otherwise	

© bmarkweb Ltd 2002. All Rights Reserved