

Main sheet - use Classic Marine shroud plates 125mm bronze

Jam cleats Classic Marine HL-0086

Main shroud plate Classic Marine 150mm bronze

Bowsprit shroud plate Classic Marine 75mm bronze

Sheet leads Classic Marine HL-0110/1/2

Fairlead Classic Marine HL-0146 (100mm)

C/line mizzen -4410

c/line

c/line

C/line main

500

800

150

700

1360

1725

2260

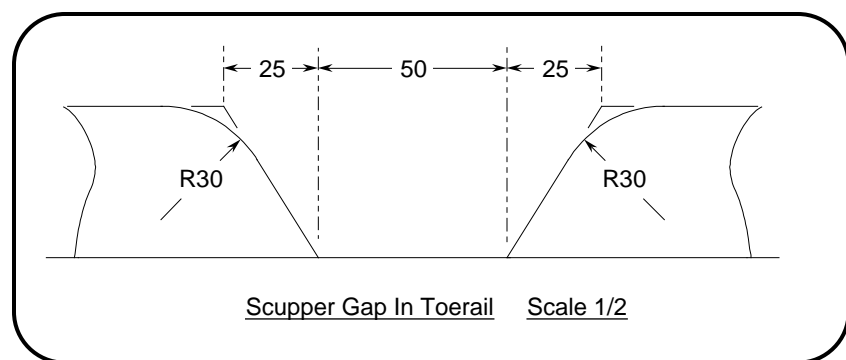
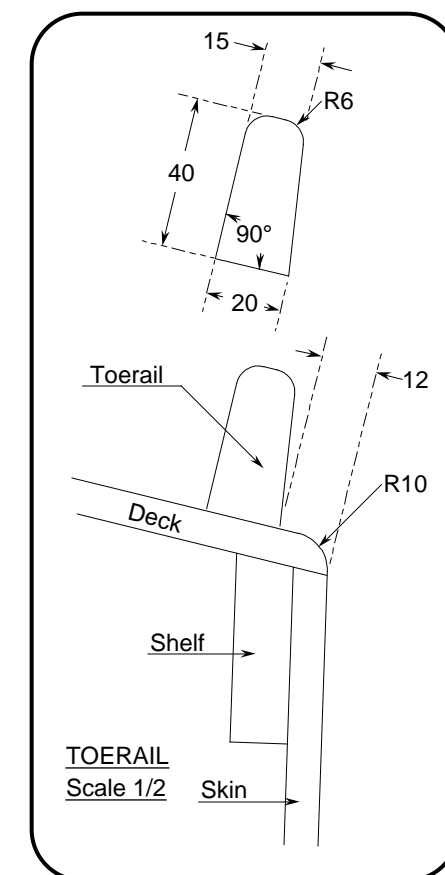
2500

3500

4100


4325

000



Note: Position jib and staysail sheet leads after sail trials - positions given are for guide only.

Main sheet plates are mounted on 20 x 150 solid timber blocks (bladed off to allow water flow), fitted with grain running vertical to inside of coamings. Blocks run from top of coaming down to seat top and are WEST bonded in place.

| | | |
|--|-----------------------|--|
|  Whisstock boats and boat plans | support@whisstock.com | |
| | Boat 077 | Scale 1/10 & 1/2 |
| Deck Plan | Date 20/05/2000 | Plan No. 077/012/01 |
| | Issue No. 01 web | All dimensions in millimetres unless noted otherwise |
| © bmarkweb Ltd 2002 All Rights Reserved | | |