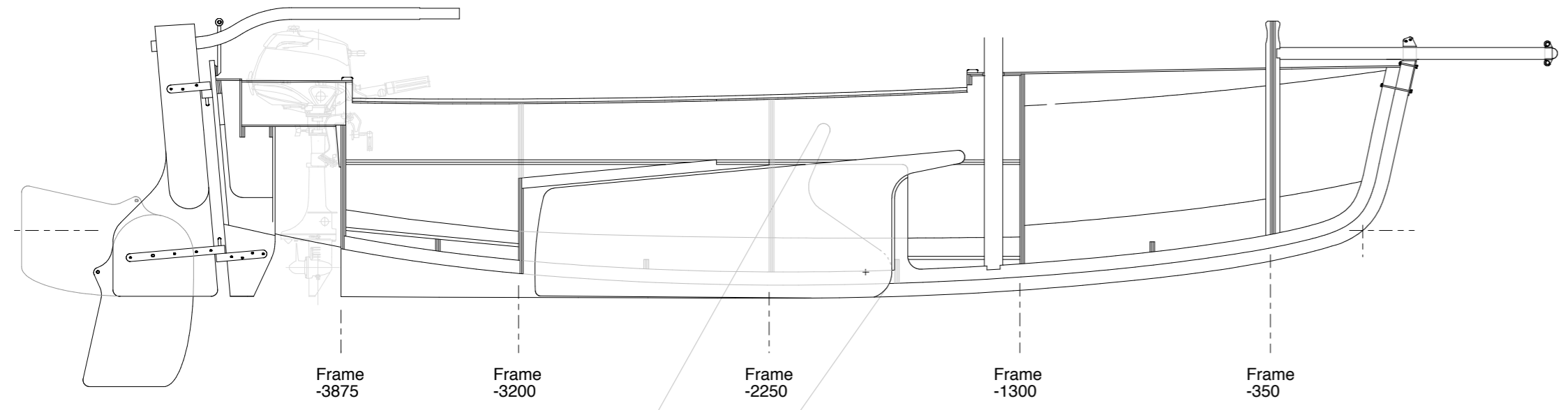
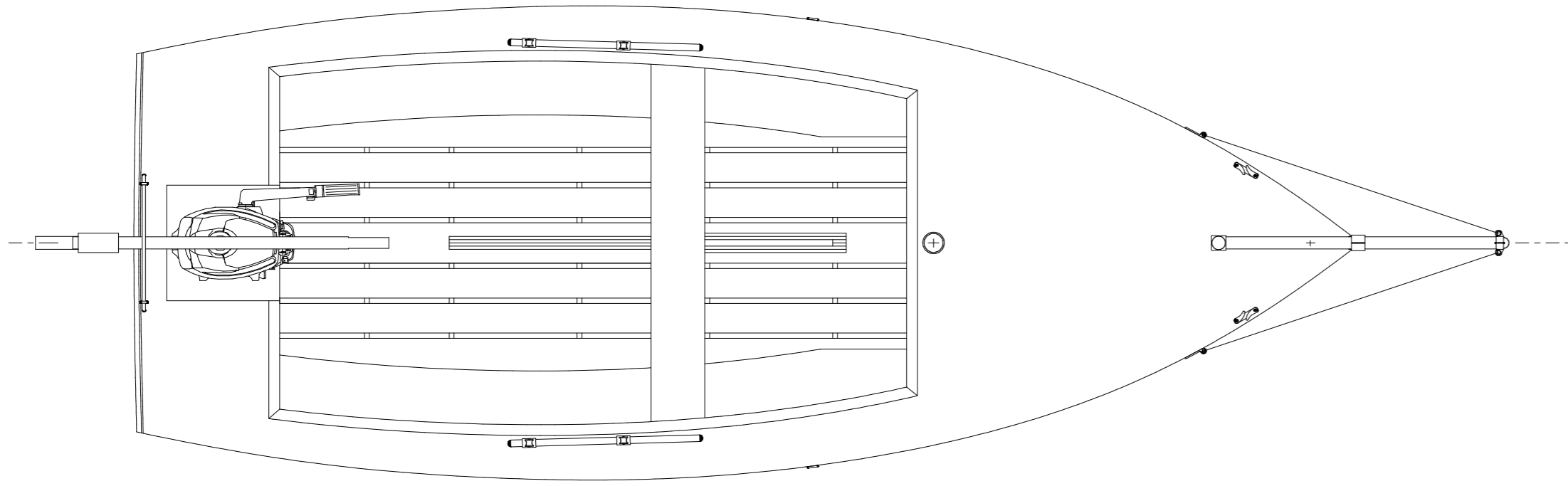
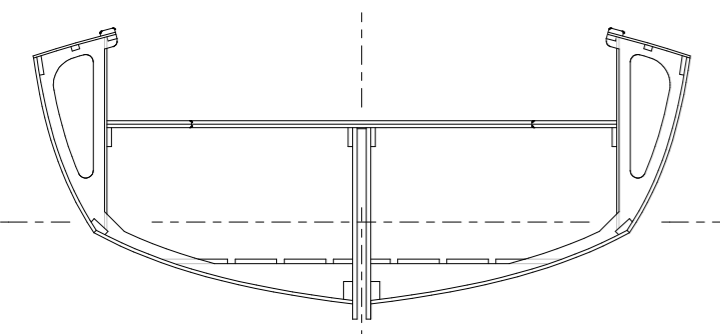


Design No. 155 14' 9" EasyBuild Dayboat

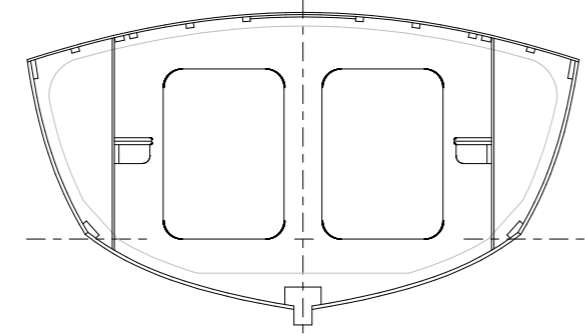
LOA (inc. Bowsprit)	5.110 m	16' 9"
LoD	4.500 m	14' 9"
LWL	4.315 m	14' 2"
Beam	1.765 m	5' 9"
Draft (board up)	0.255 m	0' 10"
Draft (board down)	1.230 m	4' 0"
Displacement to dwl	490 kg	1080 lbs
Estimated weight on trailer	210 kg	463 lbs
Mainsail Area	8.090 m ²	87 ft ²
100% Foretriangle Area	4.468 m ²	48 ft ²
Staysail Area	2.400 m ²	26 ft ²
Jib Area	2.734 m ²	29 ft ²



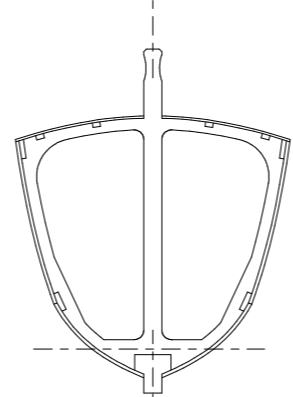
Frame -3875 Frame -3200 Frame -2250 Frame -1300 Frame -350



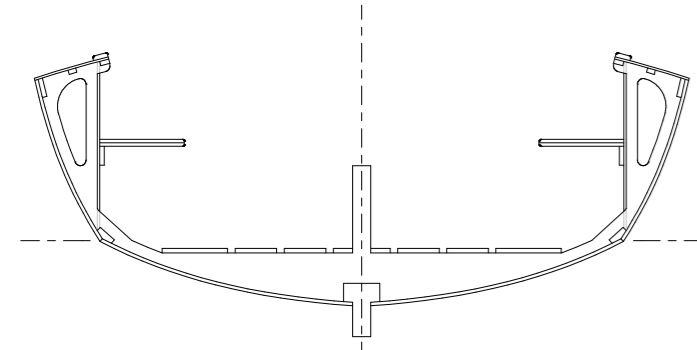
Frame -2250



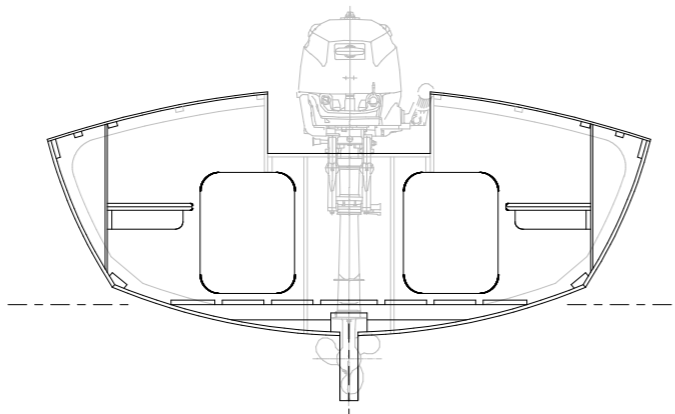
Frame -1300



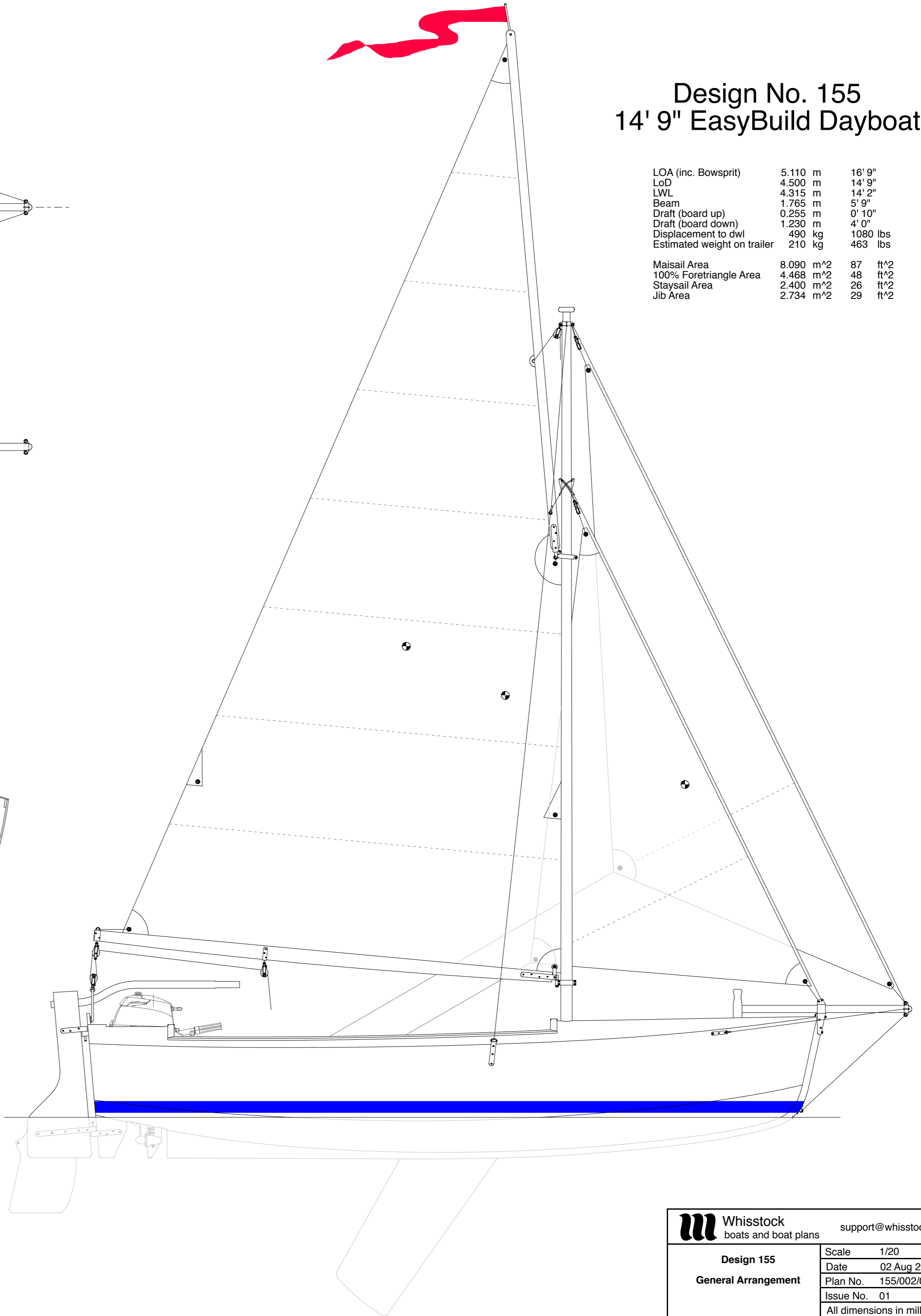
Frame -350



Frame -3200



Frame -3875



Whisstock
boats and boat plans support@whisstock.com

Design 155 General Arrangement	Scale	1/20
	Date	02 Aug 2013
	Plan No.	155/002/002
	Issue No.	01
All dimensions in millimetres unless otherwise noted		

© Debenriver Ltd 2013 All Rights Reserved